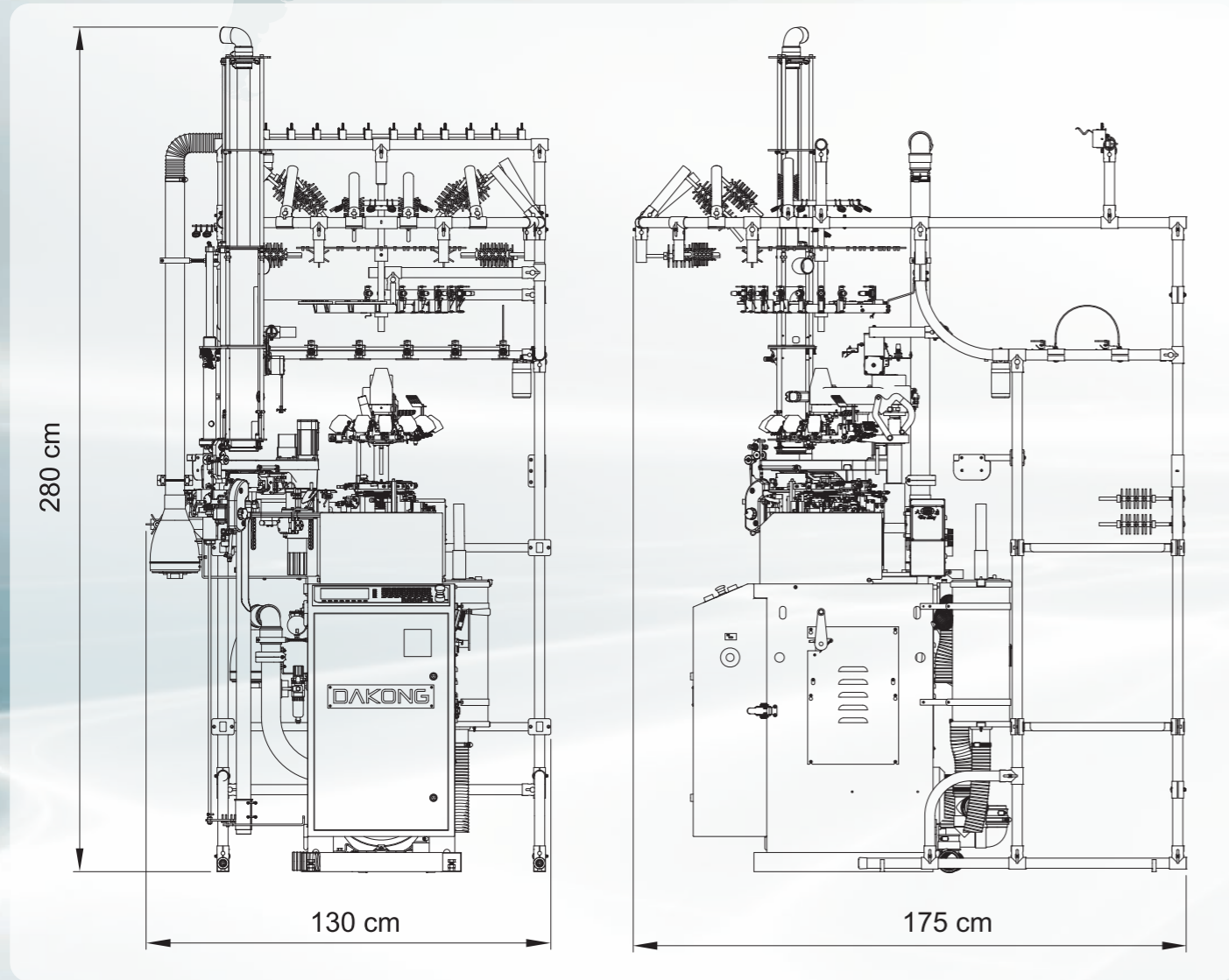




DAKONG
DK is your Dr. Knitting



DK - B318D
Fully Computerized Toe Closing
Hosiery Machine

DAKONG

DA KONG ENTERPRISE CO., LTD.

No.1, Sec.1, Chung Shan Road , Chang Hua City 500, Taiwan

Tel: 886-4-7627171

www.dakong.com

Fax: 886-4-7622274

sales@dakong.com.tw



www.dakong.com

DK - B318D

Fully Computerized Toe Closing Hosiery Machine

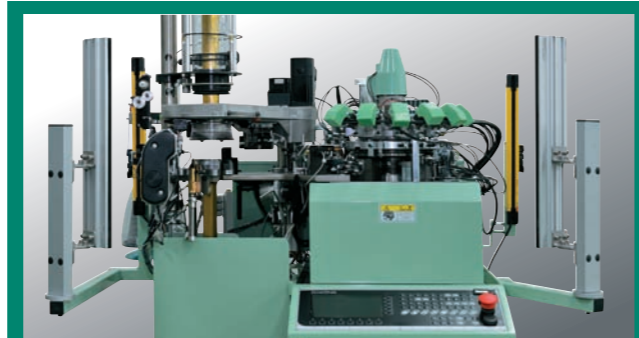
Dakong is your Dr. Knitting, we offer you the total solutions to manufacture various sock products (from baby, children, men, women, and sport/ medical functions, etc...)

Model	DK-B318D	DK-B328D	DK-B348D
Sock Type	Men & Women	Children	Sport & Medical
Cylinder Dia.	3 3/4"	3 1/2"	4"
Selection Terry	optional	-	optional



Our Toe - Closing Function

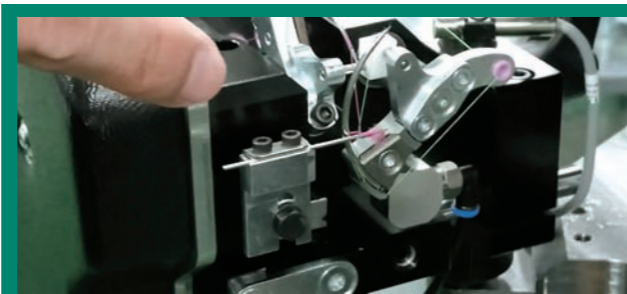
- Add more stitches on both sides of toe-closing to have better strength.
- Efficient on seaming needles change.
- Save more time, save more manpower, and get more profit.
- User-friendly software applied, easy to learn and operate.



Optional: CE certification. The electronic components and protection systems are conformed to CE regulations and approval.



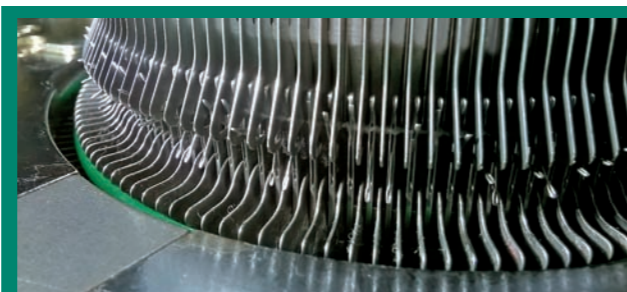
Load needle change: Easy and Fast



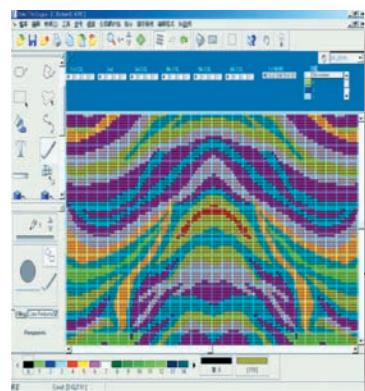
Accessible seaming module: For Easy loading and repairing.



Easily change needle gauge: From 72 to 200 needles.



Take out sock without touching needles and sinkers, minimize the losses.



Our Graphic Design System

- Easy operation
- 3D function
- Software: D-Styler
- Multilayer program
- Knitting stitch simulation

DK-B318D up to 7 pattern feeds available.

DAKONG

DK is your Dr. Knitting

Model	Cylinder Diameter	Function	Selection Groups	Main Feed + Pattern Feed	Needle Range	Speed (rpm)	Power Requirement		N.W. / G.W. (kg)	Floor Space & Packing in cm (W x L x H) (cm)
							Motor Power (kw)	Fan Power (kw) (Optional)		
DK-B318D	3 3/4"	Plain Only	6	1+4 (9)+(3,3,3,3)	72-200N	280-350	0.85	0.75	380 / 490	
			7	1+6 (9)+(3,3,3,3,2,2)						
			8	1+7 (8)+(3,3,3,3,2,2,2)						
		Terry / Plain	6	1+4 (9)+(3,3,3,3)	72N-200N	220-300 (Terry) 280-350 (Plain)	0.85	1.5	380 / 490	
			7	1+6 (9)+(3,3,3,3,2,2)						
			8	1+7 (8)+(3,3,3,3,2,2,2)						
DK-B328D	3 1/2"	Plain Only	6	1+4 (8)+(3,3,3,3)	72N-200N	280-350	0.85	0.75	380 / 490	Floor Space 200 x 160 x 280 Packing 145 x 145 x 180
			7	1+6 (8)+(3,3,3,3,2,2)						
		Terry / Plain	6	1+4 (8)+(3,3,3,3)	72N-200N	220-300 (Terry) 280-350 (Plain)	0.85	1.5	380 / 490	
			7	1+6 (8)+(3,3,3,3,2,2)						
DK-B348D	4"	Plain Only	6	1+4 (9)+(3,3,3,3)	72N-200N	280-350	0.85	0.75	380 / 490	
			7	1+6 (9)+(3,3,3,3,2,2)						
		Terry / Plain	6	1+4 (9)+(3,3,3,3)	72N-200N	220-300 (Terry) 280-350 (Plain)	0.85	1.5	380 / 490	
			7	1+6 (9)+(3,3,3,3,2,2)						
DK-B318JD	3 3/4"	Selection Terry	7	1+6 (9)+(3,3,3,3,2,2)	72N-200N	160-250	0.85	1.5	380 / 490	
DK-B348JD	4"	Selection Terry	7	1+6 (9)+(3,3,3,3,2,2)	72N-200N	160-250	0.85	1.5	380 / 490	

- Maximum speed varies with conditions of yarn quality, loop patterns, lubrication...and so on.
- All specifications and designs are subject to change without notice.
- The fan power suggestion above is for the factory with the central suction equipment.